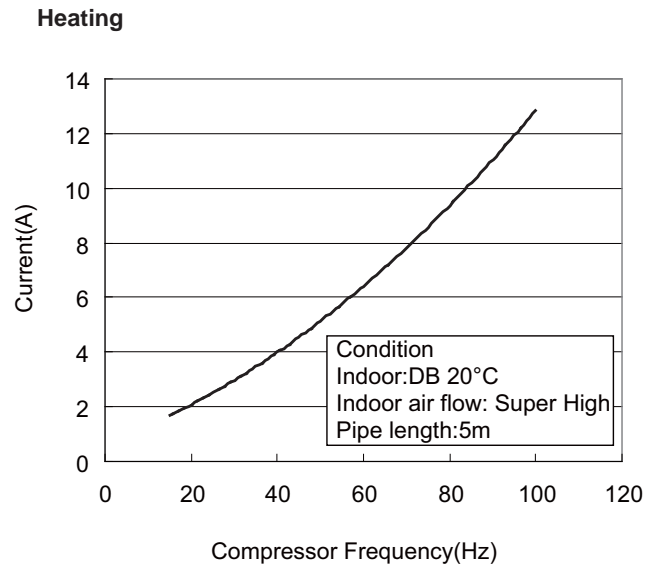
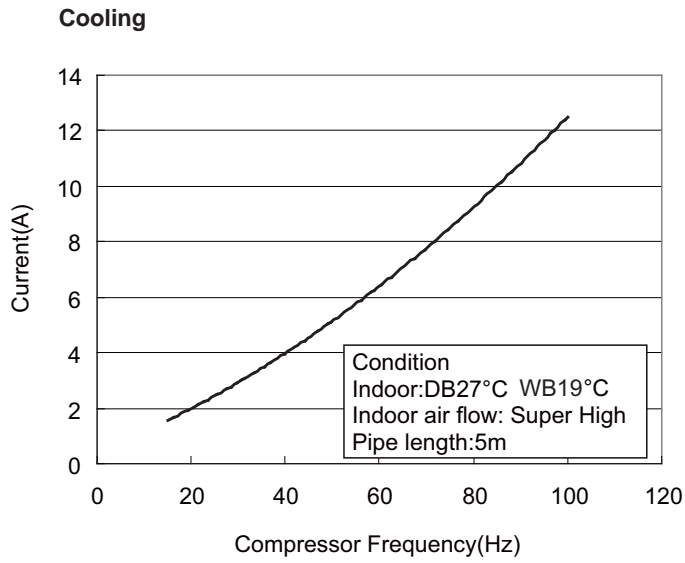




Outdoor Unit	Model of Outdoor Unit		GWH18ACE-S6DBA1A/O	
	Outdoor Unit Product Code		CB497W11000	
	Compressor Manufacturer/Trademark		ZHUHAI LANDA COMPRESSOR CO., LTD	
	Compressor Model		QXFT-D20zF030	
	Compressor Oil		FW68DA	
	Compressor Type		Rotary	
	L.R.A.	A	30	
	Compressor RLA	A	10.5	
	Compressor Power Input	W	2260	
	Overload Protector		/	
	Throttling Method		Electron expansion valve	
	Operation Temp	°C	16~30	
	Ambient Temp (Cooling)	°C	-18~52	
	Ambient Temp (Heating)	°C	-30~24	
	Condenser Form		Aluminum Fin-copper Tube	
	Pipe Diameter	mm	Φ7	
	Rows-fin Gap	mm	2-1.4	
	Coil Length (LXDXW)	mm	945X38.1X748	
	Fan Motor Speed	rpm	820	
	Output of Fan Motor	W	90	
	Fan Motor RLA	A	0.65	
	Fan Motor Capacitor	μF	/	
	Air Flow Volume of Outdoor Unit	m <sup>3</sup> /h	4000	
	Fan Type		Axial-flow	
	Fan Diameter	mm	Φ550	
	Defrosting Method		Automatic Defrosting	
	Climate Type		T1	
	Isolation		I	
	Moisture Protection		IPX4	
	Permissible Excessive Operating Pressure for the Discharge Side	MPa	4.3	
	Permissible Excessive Operating Pressure for the Suction Side	MPa	2.5	
	Sound Pressure Level (H/M/L)	dB (A)	56/-/-	
	Sound Power Level (H/M/L)	dB (A)	63/-/-	
Dimension (WXHXD)	mm	1003X790X427		
Dimension of Carton Box (LXWXH)	mm	1080X485X840		
Dimension of Package (LXWXH)	mm	1083X488X855		
Net Weight	kg	61		
Gross Weight	kg	66		
Refrigerant		R32		
Refrigerant Charge	kg	1.5		
Connection Pipe	Length	m	5	
	Gas Additional Charge	g/m	40	
	Outer Diameter Liquid Pipe	mm	Φ6	
	Outer Diameter Gas Pipe	mm	Φ16	
	Max Distance Height	m	20	
	Max Distance Length	m	50	
Note: The connection pipe applies metric diameter.				

The above data is subject to change without notice; please refer to the nameplate of the unit.

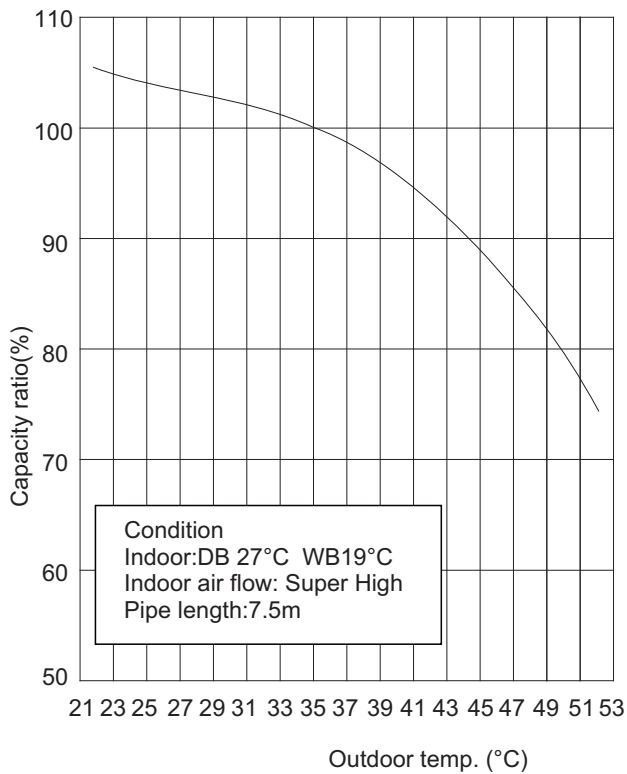
## 2.2 Operation Characteristic Curve



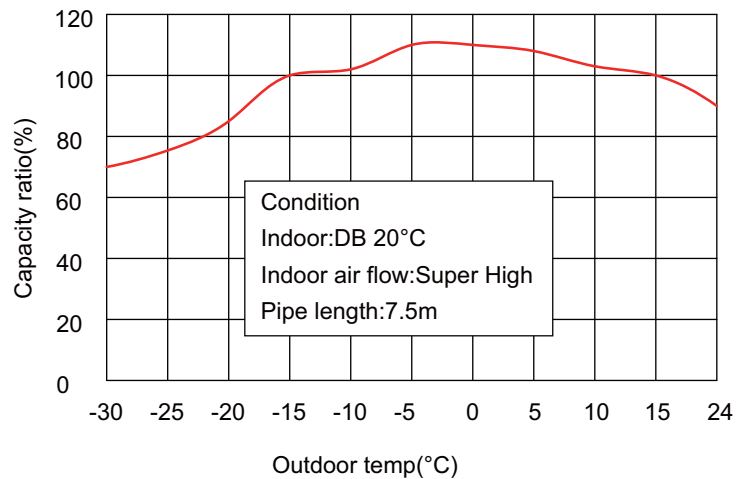
## 2.3 Capacity Variation Ratio According to Temperature

18K

**Cooling**

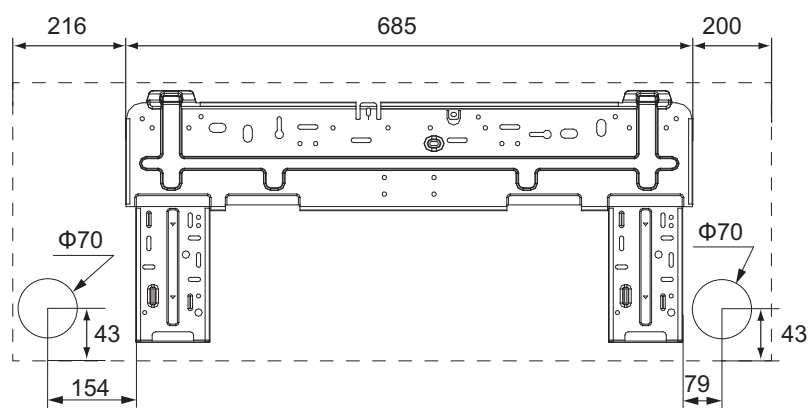
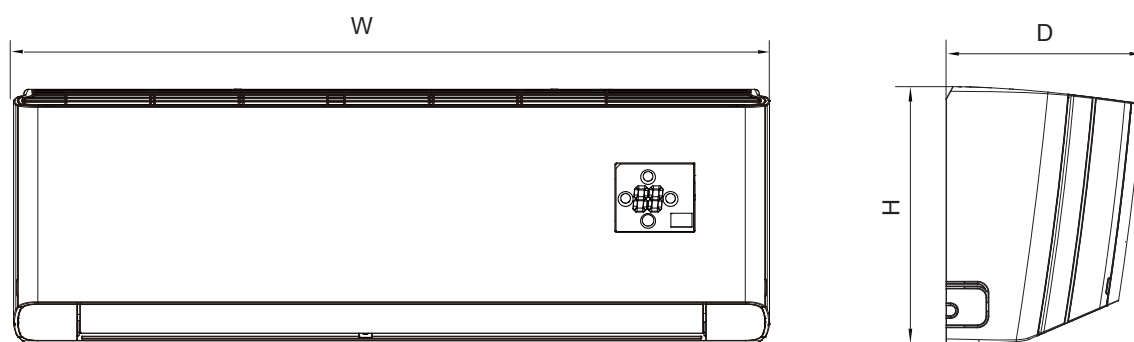


**Heating**



# 3. Outline Dimension Diagram

## 3.1 Indoor Unit

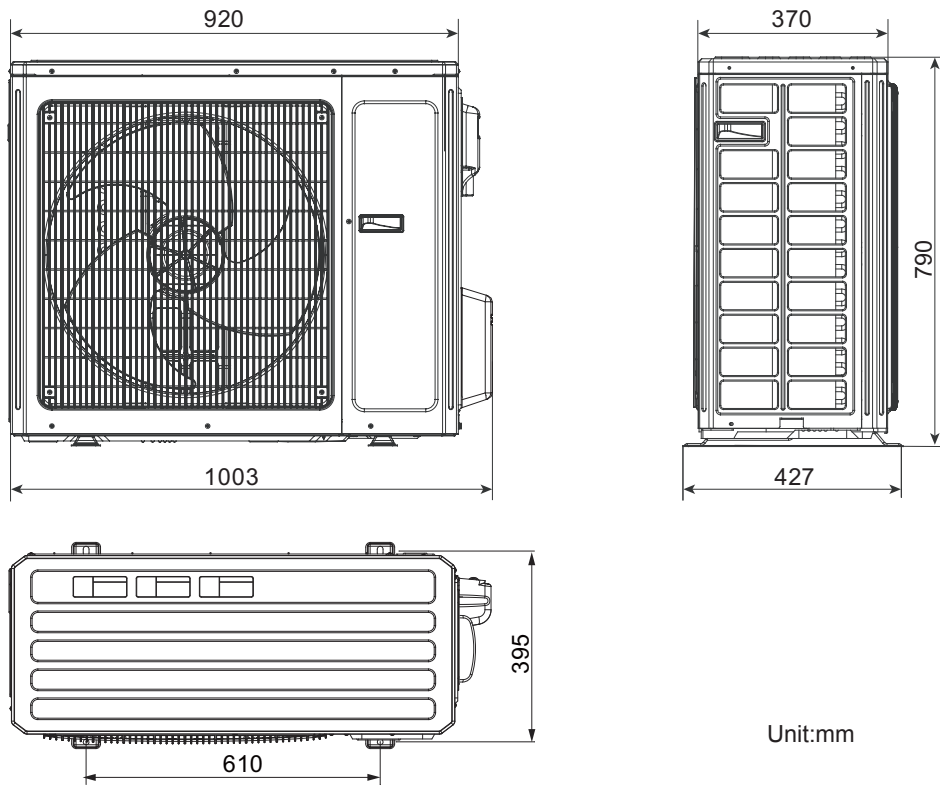


Unit:mm

Models	W	H	D
18K	1101	327	249

### 3.2 Outdoor Unit

GWH18ACE-S6DBA1A/O  
GWH18YE-S6DBA2A/O



Unit:mm